

SPECTACLE MAGNIFIER · LOUPE GLASS

LINEN TESTER

SPECTACLE MAGNIFIER

The BINOCULAR MAGNIFIER allows you to use both hands

※This photograph was taken to show the type of application, this actual product is not for sale.



Clip Type with Spectacles
Easy to fit on Spectacles Frame

No.HF-20A **2×**

No.HF-20B **2.5×**

No.HF-20C **3×**

- inner box : 10pcs
- Hard coating Plastic lens
- Clip-on type, With Case

MAGNIFICATION	2×	2.5×	3×
Work Distance	17~30cm	15~25cm	12~19cm

※ The work distance gap depends on the person using the product.

The SPECTACLE MAGNIFIER is easy to use, convenient with high-efficiency magnification to provide the feeling of wearing glasses. This enables you to look with both eyes. Typical examples are when reading small characters in a dictionary, DIY work, favorite pursuits or fishing. For business use, we guarantee the efficiency to meet your expectations in printing processes or precision machine work such as a watch making. This product is highly regarded by the medical service. Please give it a try we are sure you can appreciate its efficiency and convenience.



For those who do not wear glasses

Spectacles Type

No.HF-10A **2×**

No.HF-10B **2.5×**

No.HF-10C **3×**

- inner box : 10pcs
- Hard coating Plastic lens
- With Case

INTERCHANGEABLE LENS



No.HF-A1 **2×**

No.HF-B1 **2.5×**

No.HF-C1 **3×**

- inner box : 10pcs
- Hard coating Plastic lens

BOX SET



No.HF-20ABC **2×&2.5×&3×**

- inner box : 10pcs
- With 3 Lens
- Hard coating Plastic lens



No.HF-10ABC **2×&2.5×&3×**

- inner box : 10pcs
- With 3 Lens
- Hard coating Plastic lens



No.HF-20BF **2.5×**

- inner box : 10pcs
- Without Case
- Hard coating Plastic lens



No.HF-10BF **2.5×**

- inner box : 10pcs
- Without Case
- Hard coating Plastic lens

HANGING TYPE

LOUPE GLASS

- Compact and space-saving.
- You can use it together with your glasses.
- You can use it as a substitute for glasses.
- Hardening-Coated Lens(LG-10A Only)



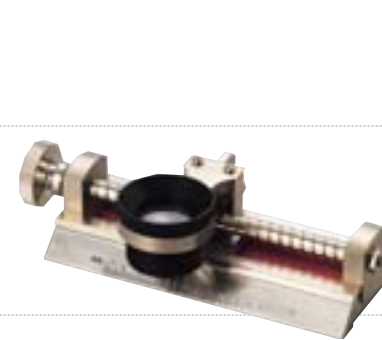
No.LG-10A **3Diopter**

- inner box : 10pcs
- Small-sized lens
- 5× magnification
- Supplied in a cloth case
- Hard coating Plastic lens

No.LG-10B **3Diopter**

- inner box : 10pcs
- Without the small-size lens
- Supplied in a vinyl case
- Supplied without hard coated lens

No.LG-10AD
●12pcs



No.7680 **10×** 25 mm & 1" scale

- inner box : 12pcs
- Double Lens



No.7660

No.7670

No.7660 **5×** 30 mm & 1 1/2" scale

No.7670 **4×** 50 mm & 2" scale

- inner box : 12pcs
- Double Lens

Difference between single and double lens type

In comparison with single lens type, the distortion variability around the lens is less in the double lens type. When your eye is close to the lens the variability is small. However, as the distance increases between the lens and your eyes, the variability increases.



No.7520

No.7530

No.7521

No.7531



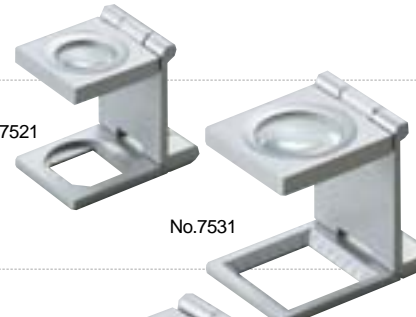
No.7550

No.7520 **9×** 10 mm & 1/2" scale

No.7530 **7×** 15 mm & 3/4" scale

No.7550 **6×** 25 mm & 1" scale

- inner box : 12pcs
- Single Lens



No.7521

No.7531

No.7522

No.7532



No.7551

No.7521 **9×** 10 mm & 1/2" scale

No.7531 **7×** 15 mm & 3/4" scale

No.7551 **6×** 25 mm & 1" scale

- inner box : 12pcs
- Single Lens



No.7552

No.7522 **9×** 10 mm & 1/2" scale

No.7532 **7×** 15 mm & 3/4" scale

No.7552 **6×** 25 mm & 1" scale

- inner box : 12pcs
- Double Lens



No.7650-M **6×** 25 mm scale

No.7650-I **6×** 1" scale

- inner box : 12pcs
- Single Lens
- With Needle



No.7651-M **6×** 25 mm scale

No.7651-I **6×** 1" scale

- inner box : 12pcs
- Single Lens
- With Needle

GL : glass lens type WL : white lens type PL : plastic lens type Hook : A strap is available for suspending.

To order the hanging type, add an F in the end of the product number when ordering.